



US011517634B2

(12) **United States Patent**  
**Fulbrook**

(10) **Patent No.:** **US 11,517,634 B2**  
(45) **Date of Patent:** **Dec. 6, 2022**

(54) **FIELD OF REACH ULTRAVIOLET LIGHT DISINFECTING SYSTEM**

- (71) Applicant: **Jim E. Fulbrook**, Fairfax, VA (US)
- (72) Inventor: **Jim E. Fulbrook**, Fairfax, VA (US)
- (\*) Notice: Subject to any disclaimer, the term of this patent is extended or adjusted under 35 U.S.C. 154(b) by 0 days.

(21) Appl. No.: **17/441,843**

(22) PCT Filed: **May 6, 2021**

(86) PCT No.: **PCT/US2021/031126**

§ 371 (c)(1),  
(2) Date: **Sep. 22, 2021**

(87) PCT Pub. No.: **WO2021/226357**

PCT Pub. Date: **Nov. 11, 2021**

(65) **Prior Publication Data**

US 2022/0313847 A1 Oct. 6, 2022

**Related U.S. Application Data**

(60) Provisional application No. 63/020,936, filed on May 6, 2020.

(51) **Int. Cl.**  
**A61L 2/00** (2006.01)

(52) **U.S. Cl.**  
CPC ..... **A61L 2/0047** (2013.01); **A61L 2202/11** (2013.01); **A61L 2202/14** (2013.01)

(58) **Field of Classification Search**  
CPC . A61L 2/0047; A61L 2202/11; A61L 2202/14  
See application file for complete search history.

(56) **References Cited**

**U.S. PATENT DOCUMENTS**

6,213,619 B1	4/2001	Yu	
9,322,544 B2 *	4/2016	Carriere	A44C 15/0015
9,752,762 B1 *	9/2017	Poe, III	A44C 5/0007
10,344,924 B1 *	7/2019	Ganahl	F21V 15/04
2006/0170908 A1	8/2006	Glimm	
2016/0129279 A1 *	5/2016	Ferolito	A61N 5/0616 607/94
2017/0164878 A1	6/2017	Connor	
2018/0042513 A1	2/2018	Connor	
2019/0099613 A1	4/2019	Estes et al.	
2019/0262485 A1	8/2019	Holdings	
2022/0288253 A1 *	9/2022	Yahnke	F21V 33/0064

\* cited by examiner

*Primary Examiner* — Sean M Luck

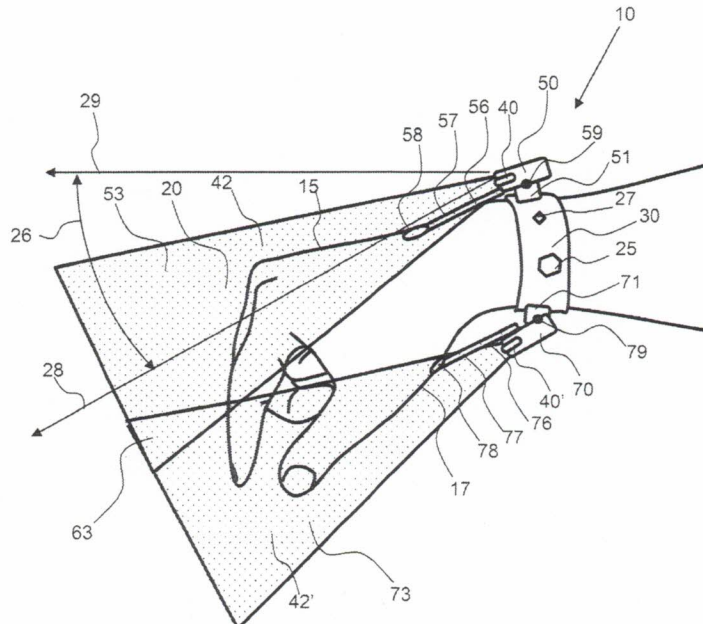
(74) *Attorney, Agent, or Firm* — Invention To Patent Services; Alex Hobson

(57) **ABSTRACT**



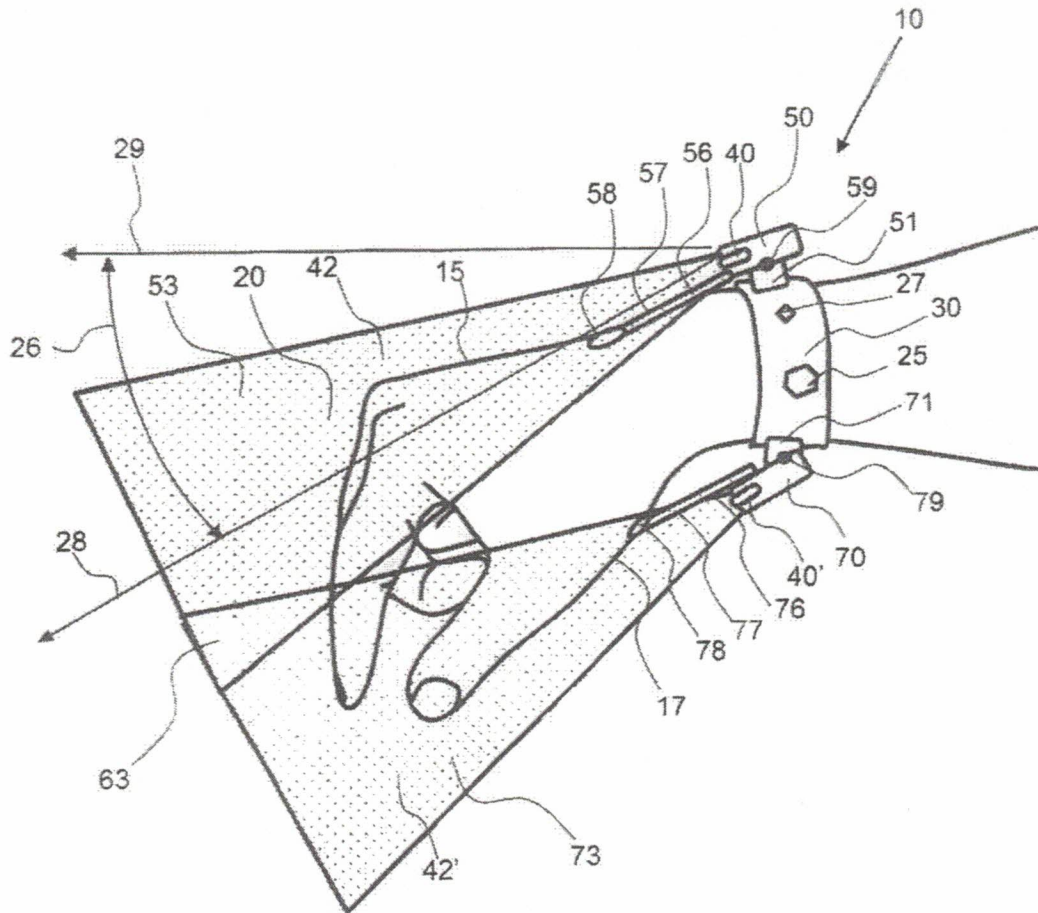
A field of reach ultraviolet light disinfecting system includes a wrist band having two or more UV light emitters to produce a shower of UV light over the hand to disinfect pathogens that may be located on the hand and/or objects and surfaces in the light field of light dispersion the UV light emitters. A field of reach ultraviolet light disinfecting device has a top-hand UV light emitter configured on the wrist band to produce a top-hand UV light field that is emitted down over the top or back of a hand, when donned on a person's wrist. A field of reach ultraviolet light disinfecting device has a palm-hand UV light emitter that produces a palm-hand UV light field over the palm of a hand. A visible light emitter may project a visible light that overlaps the UV light field to indicate the location of the UV light emission.

**20 Claims, 6 Drawing Sheets**



Field of Reach Ultraviolet Light Disinfecting Systems

Patent US11,517,634, Issued 12/06/2022



- 10 Field of reach UV light disinfecting device
- 15 Top of hand
- 17 Palm of hand
- 20 UV light
- 25 Controller
- 26 Projected axis offset
- 27 Projected light detector
- 28 Project light axis
- 29 Horizontal light axis
- 30 Wrist band
- 40 and 40' Visible light emitter
- 42 and 42' Visible light
- 50 Top hand UV light emitter

- 51 Top hand light base
- 53 Top hand UV light field
- 56 Top hand deflector
- 57 Deflector extension
- 58 Deflector attachment
- 59 Pivot
- 63 Overlap field
- 70 Palm hand UV light emitter
- 71 Palm hand light base
- 73 Palm hand UV light field
- 76 Palm hand deflector
- 77 Deflector extension
- 78 Deflector attachment
- 79 Pivot