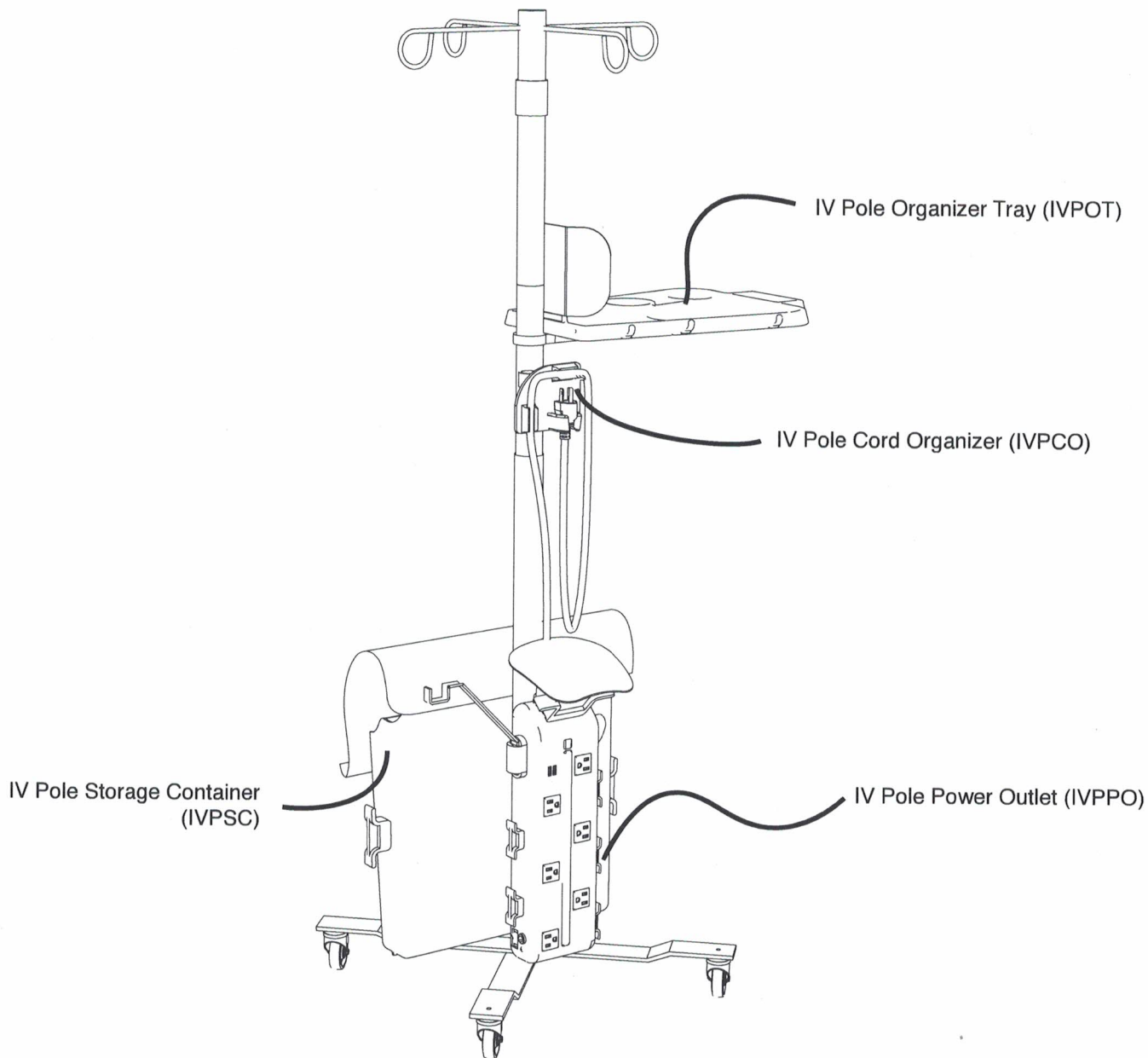
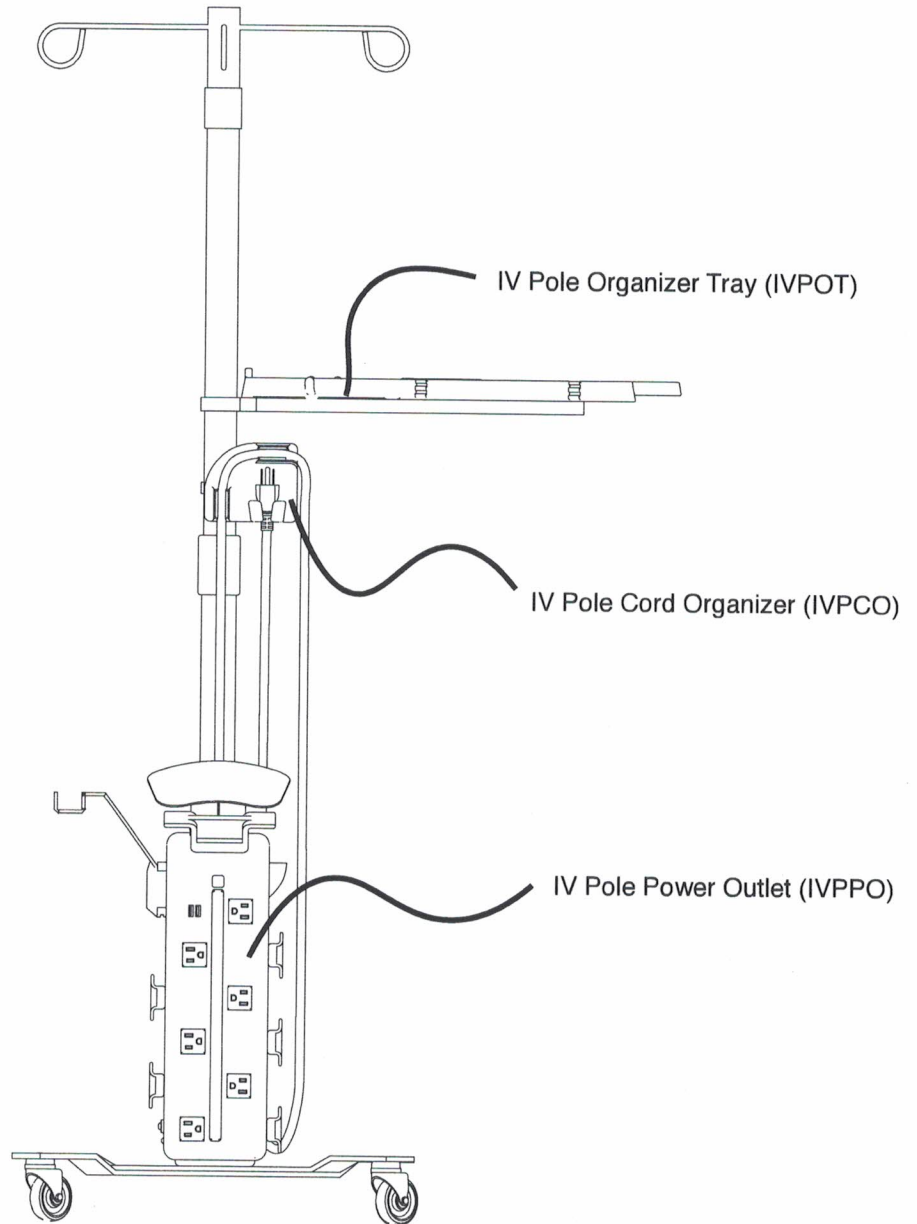


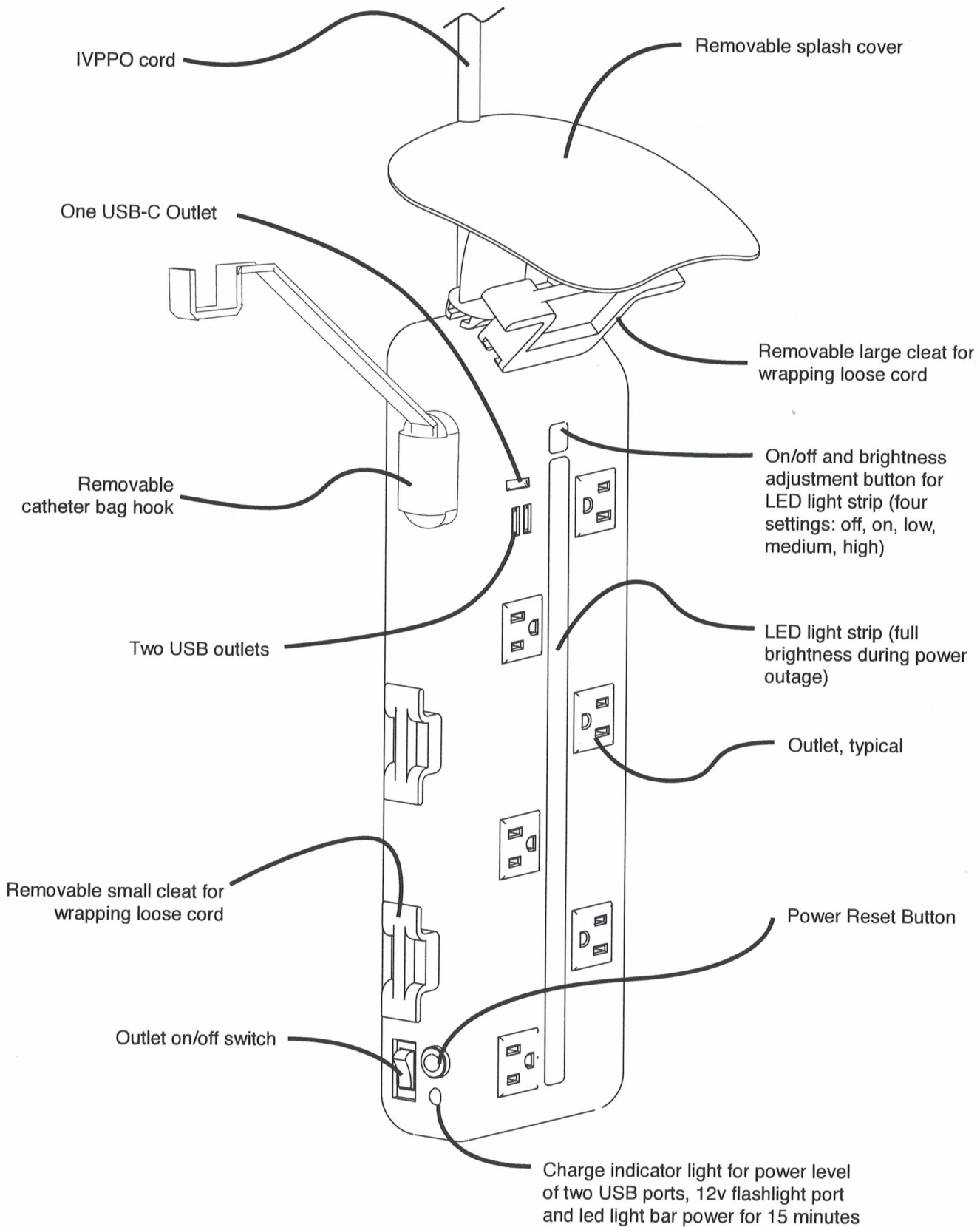
1. Perspective View of Intravenous Pole Power Organizer (IVPPO), IV Pole Organizer Tray (IVPOT), IV Pole Cord Organizer (IVPCO), and System



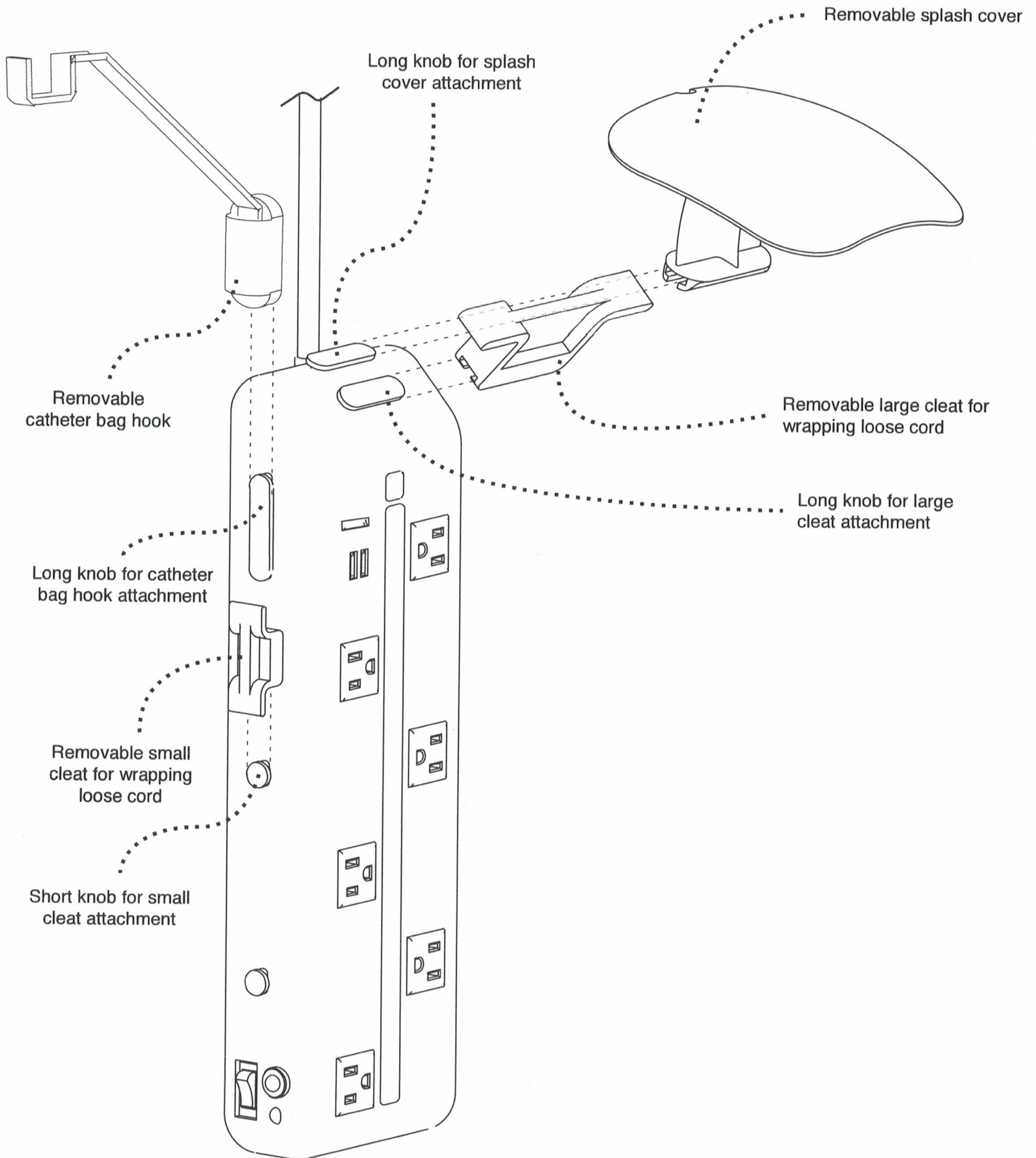
2. Front View of IVPPO and Side View of Organizer Tray



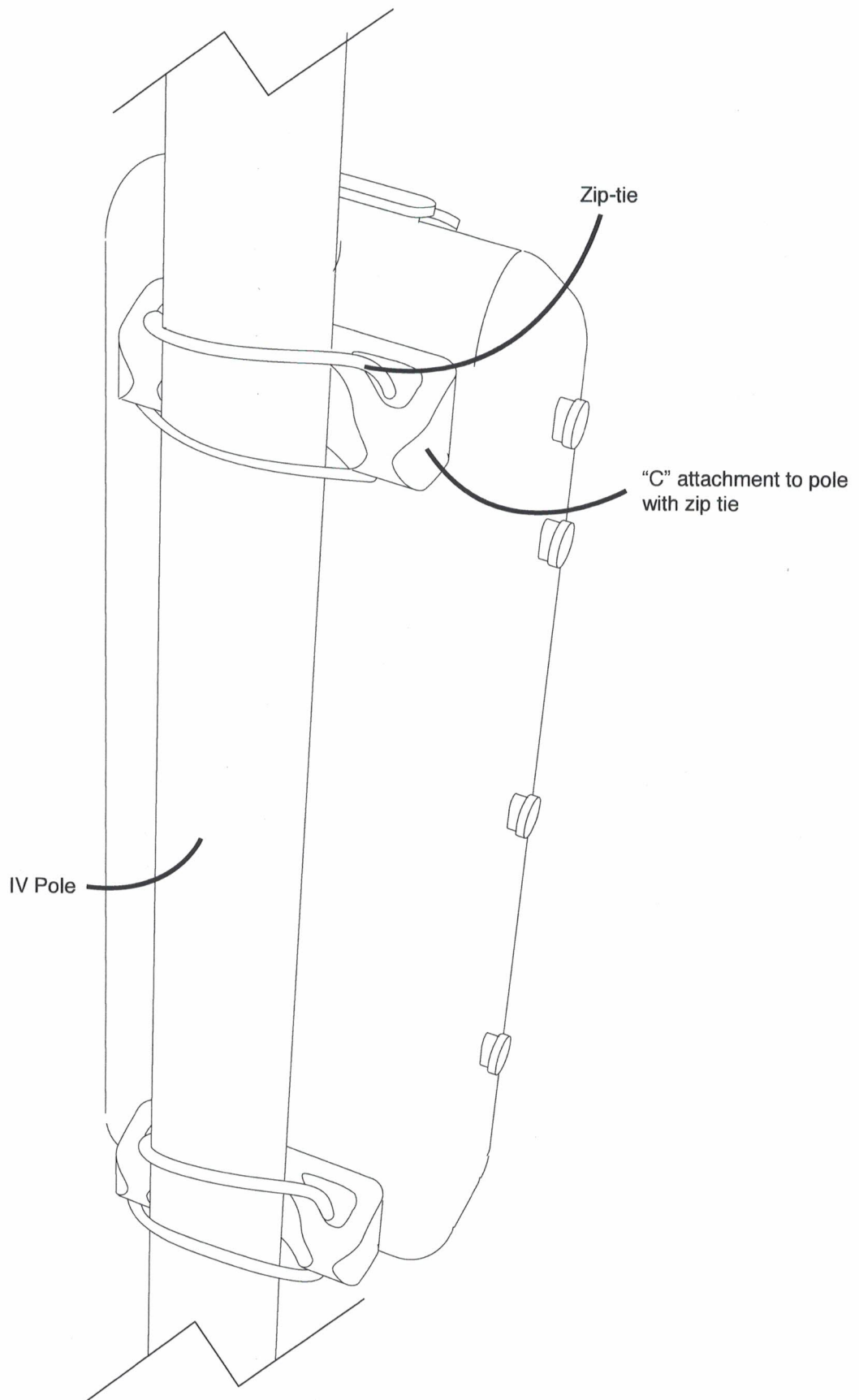
3. Perspective View of IVPPO Features



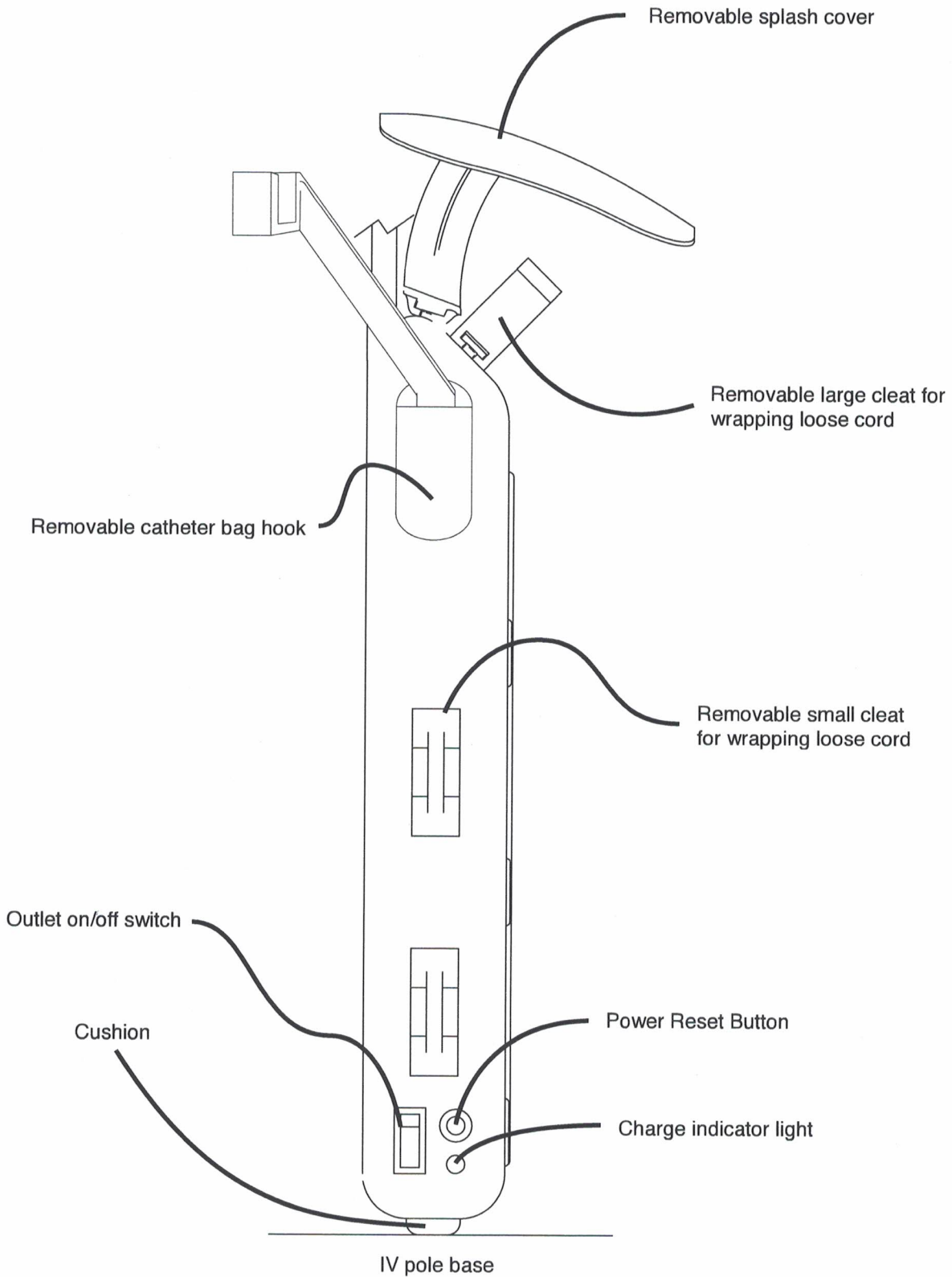
4. Perspective View of IVPPO Exploded View



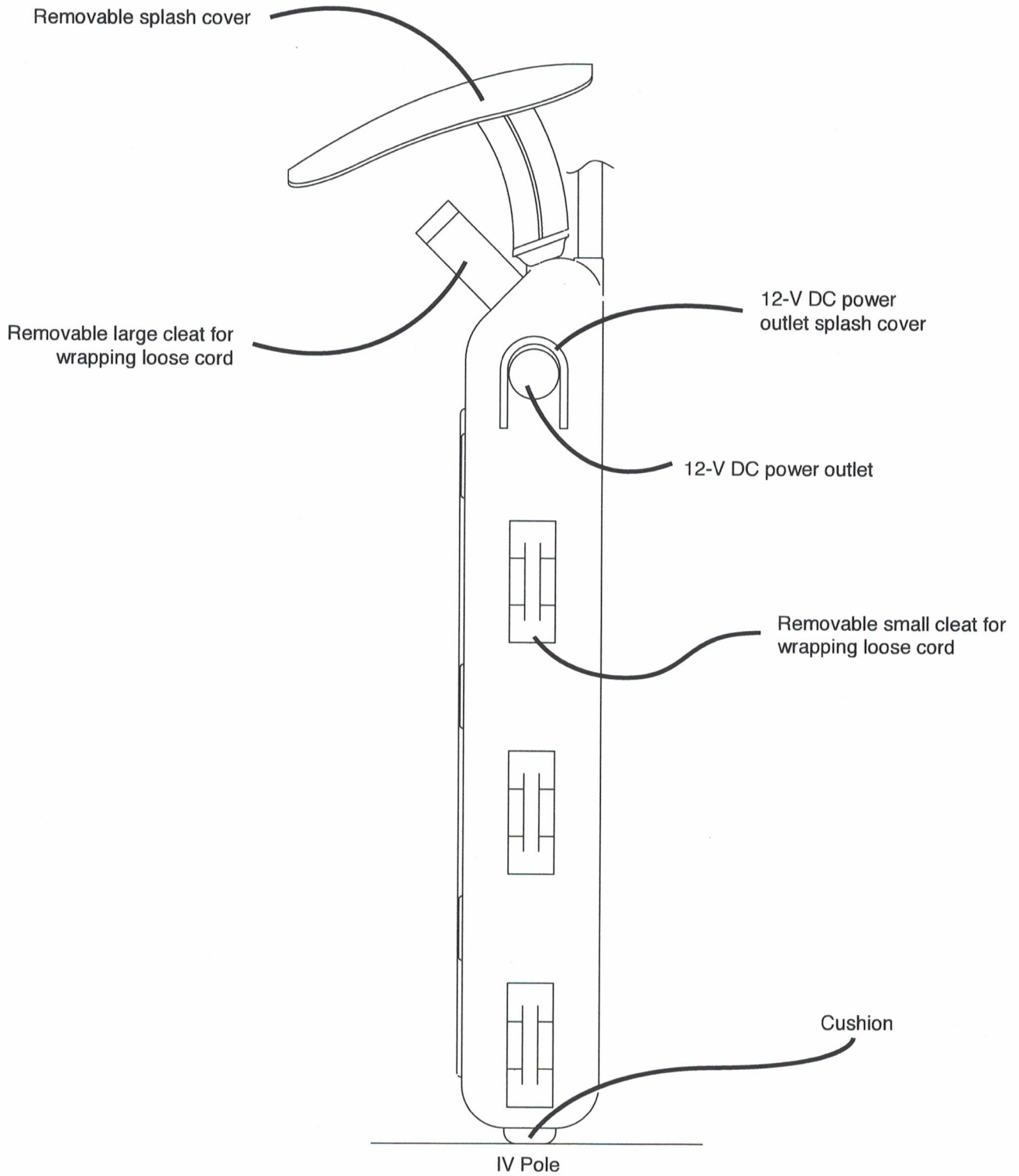
5. Back View of IVPPO showing zip-tie attachment



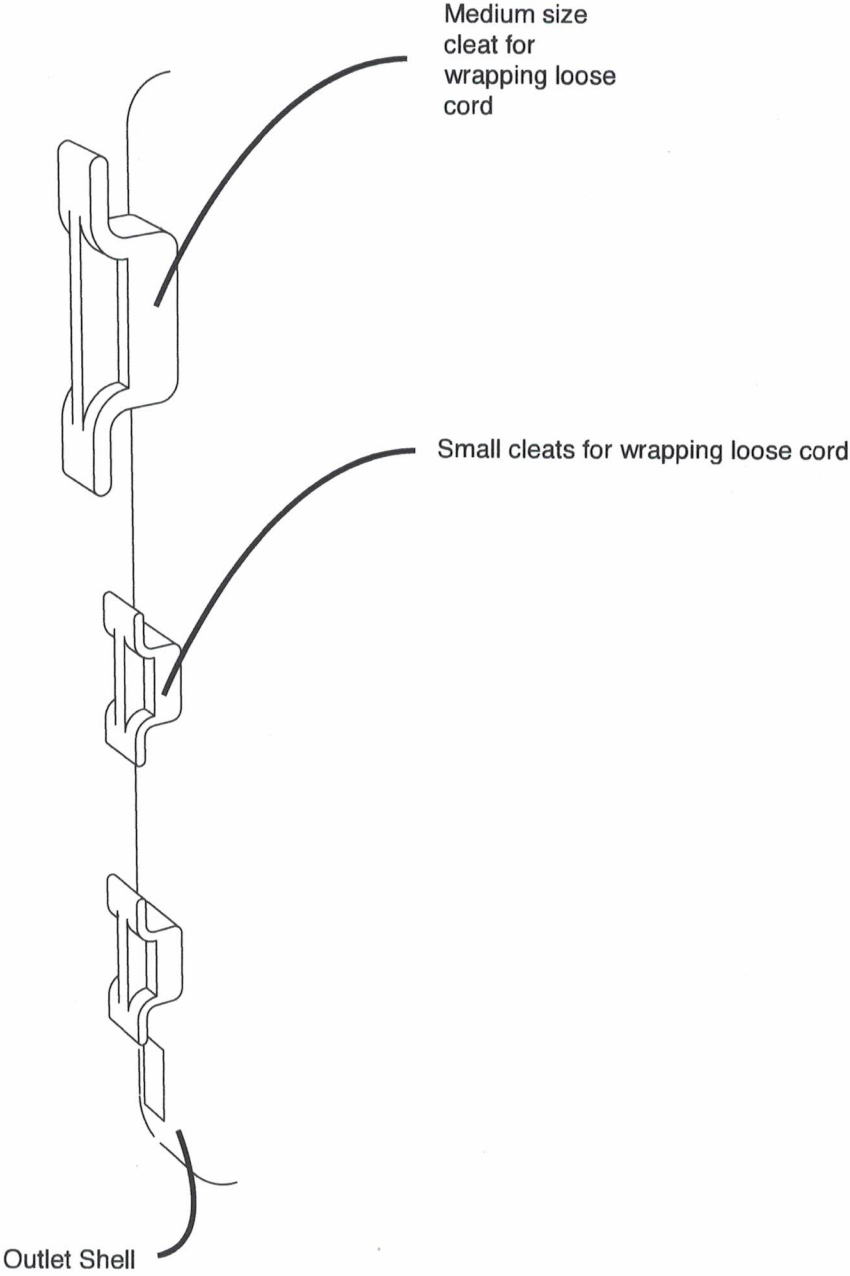
6. Left View of IVPPO



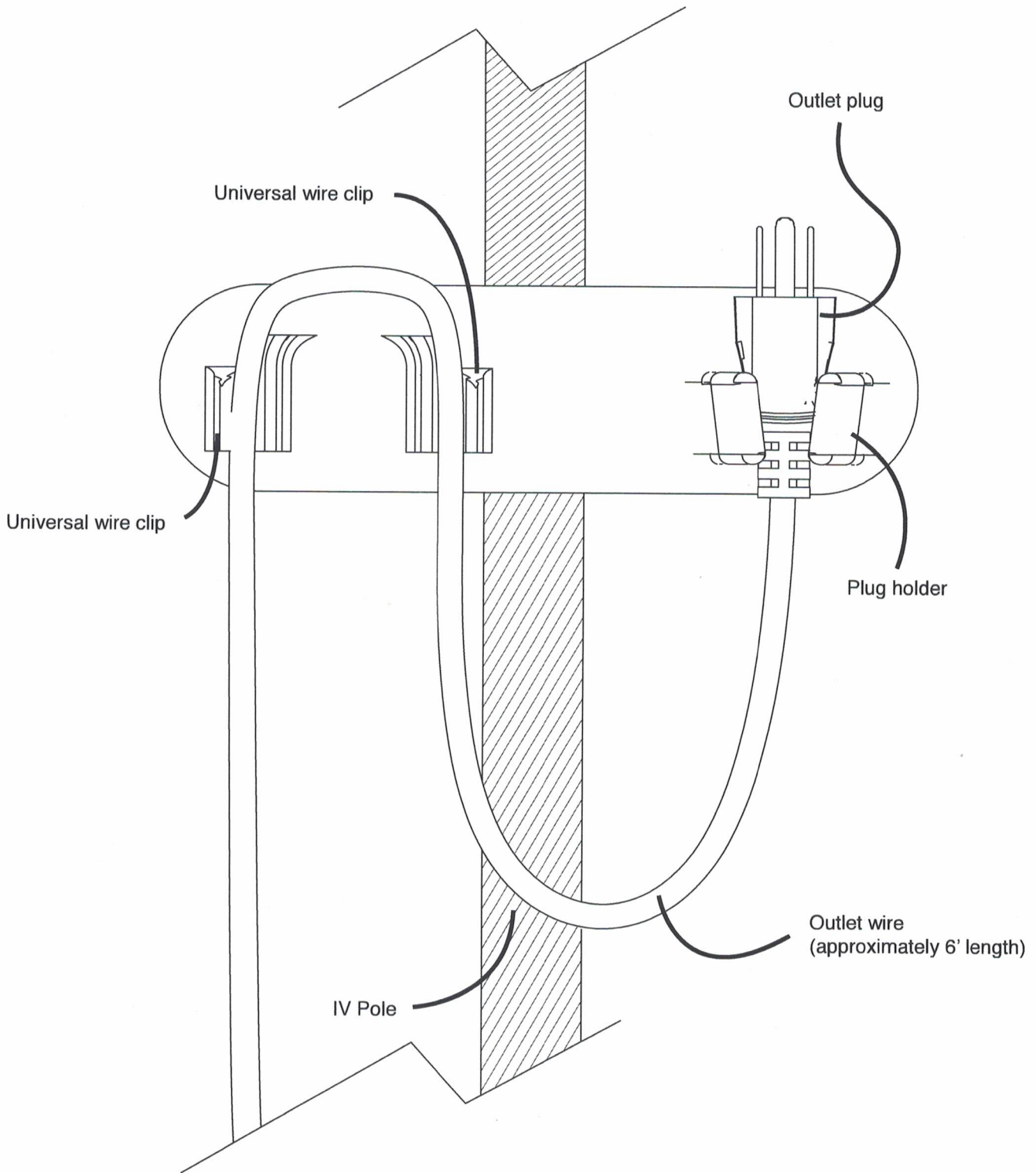
7. Right View of IVPPO



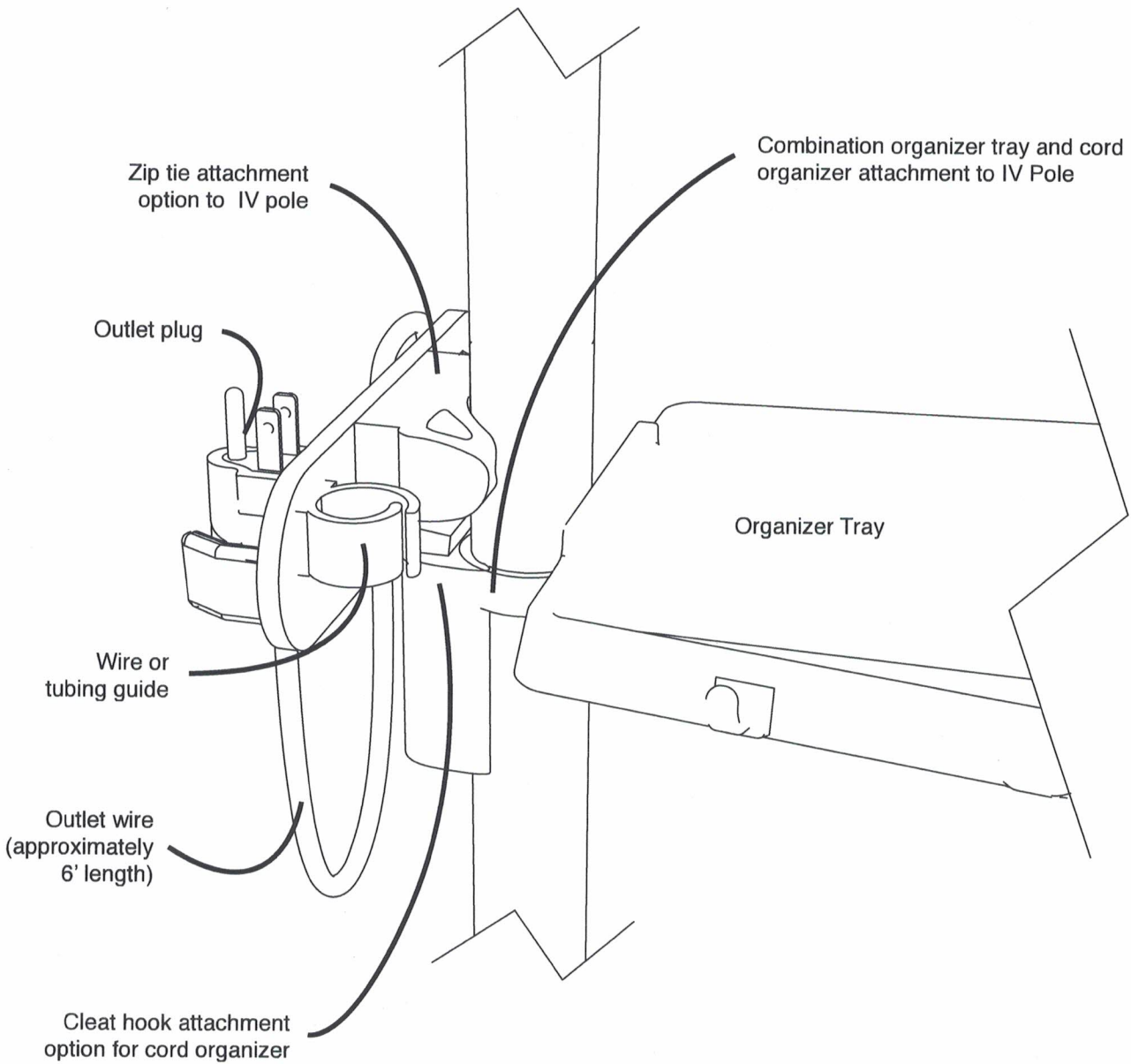
8. Perspective View of IVPPO Optional Medium Size Cleat to Wrap Loose Cords



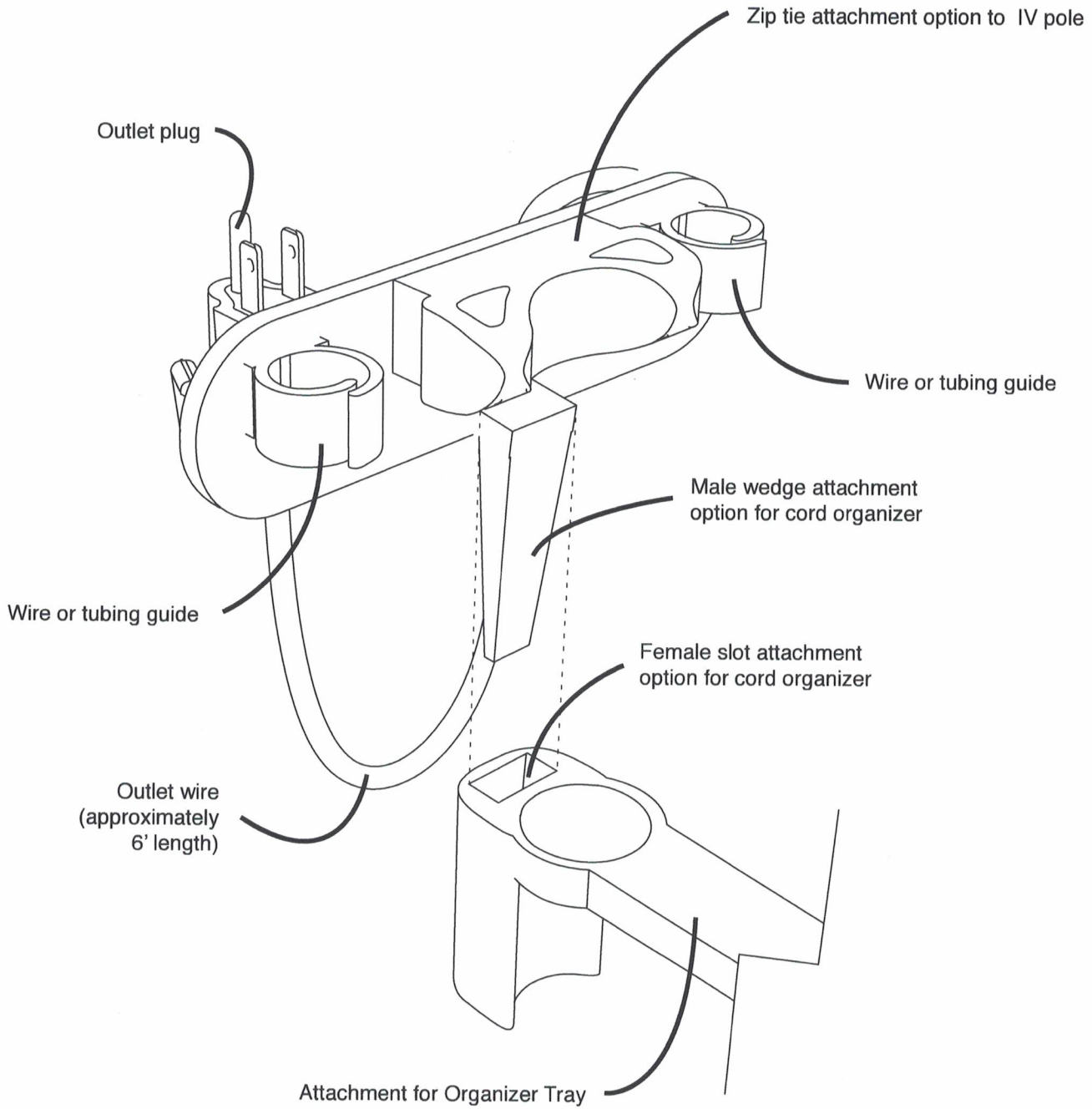
9. Front View of IVPPO Plug and Cord Holder, Option 1



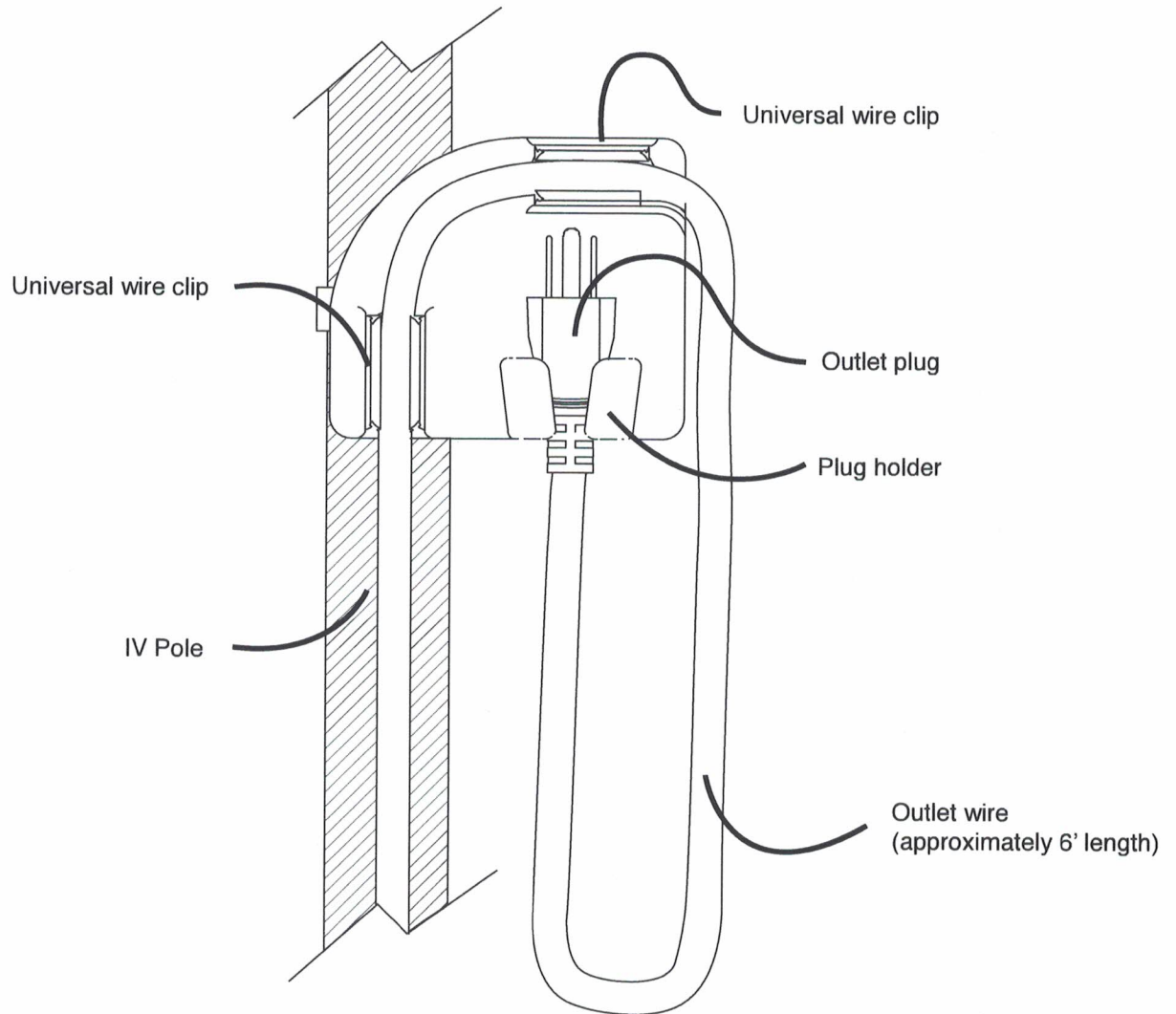
10. Back View of IVPPO Plug and Cord Holder, Option 1



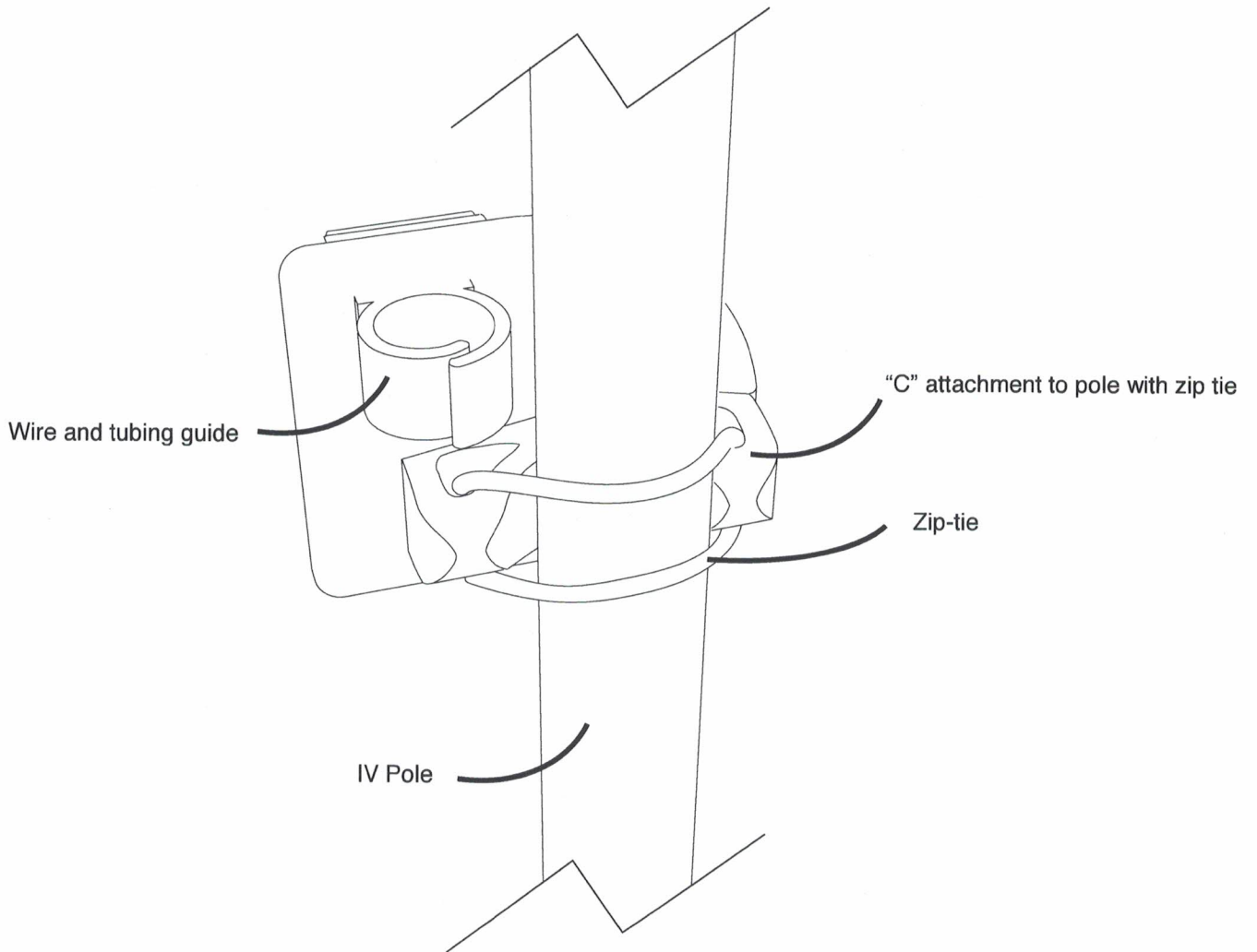
11. Back View of IVPPO Plug and Cord Holder Detached, Option 1



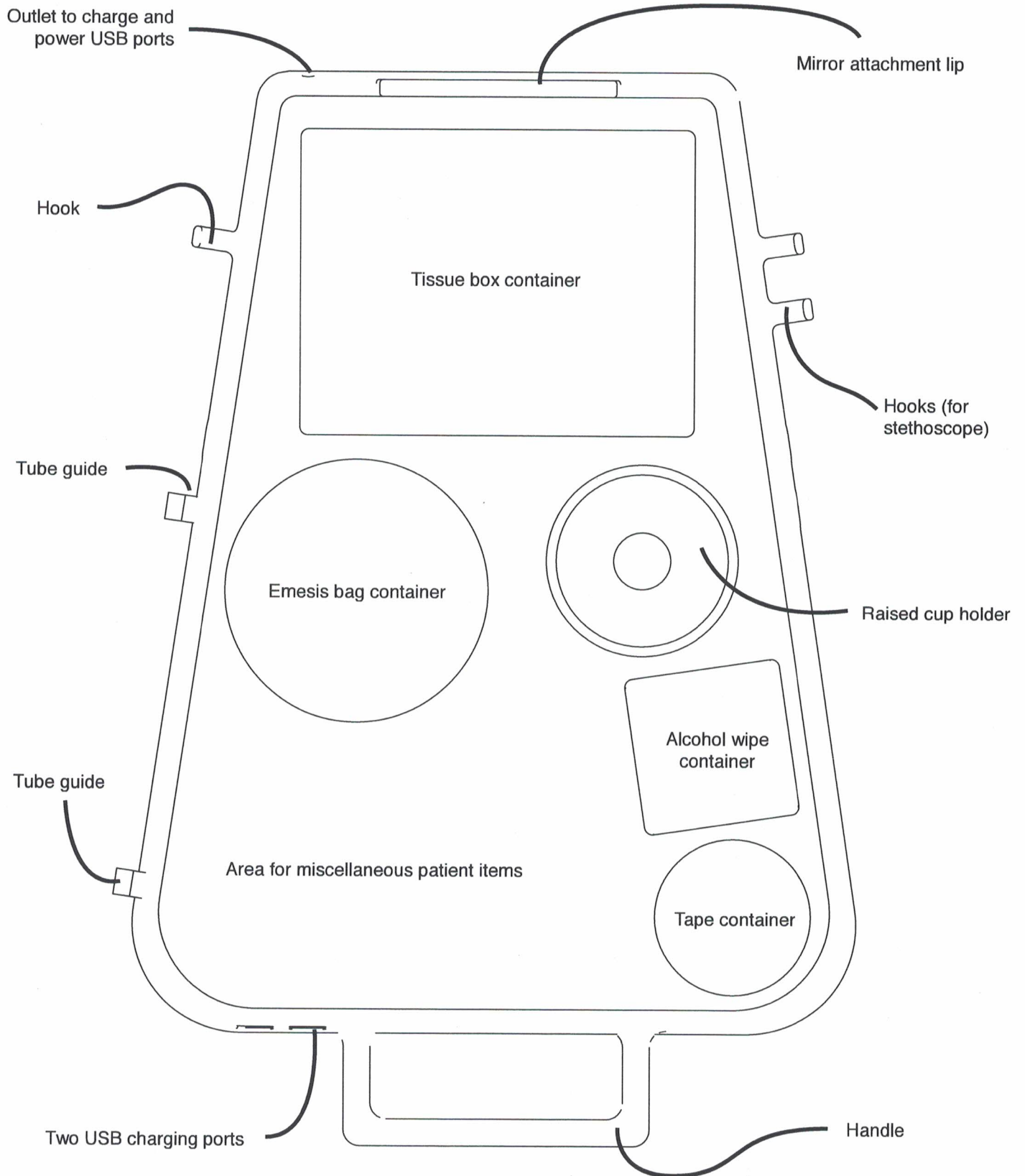
12. Front View of IVPPO Plug and Cord Holder, Option 2



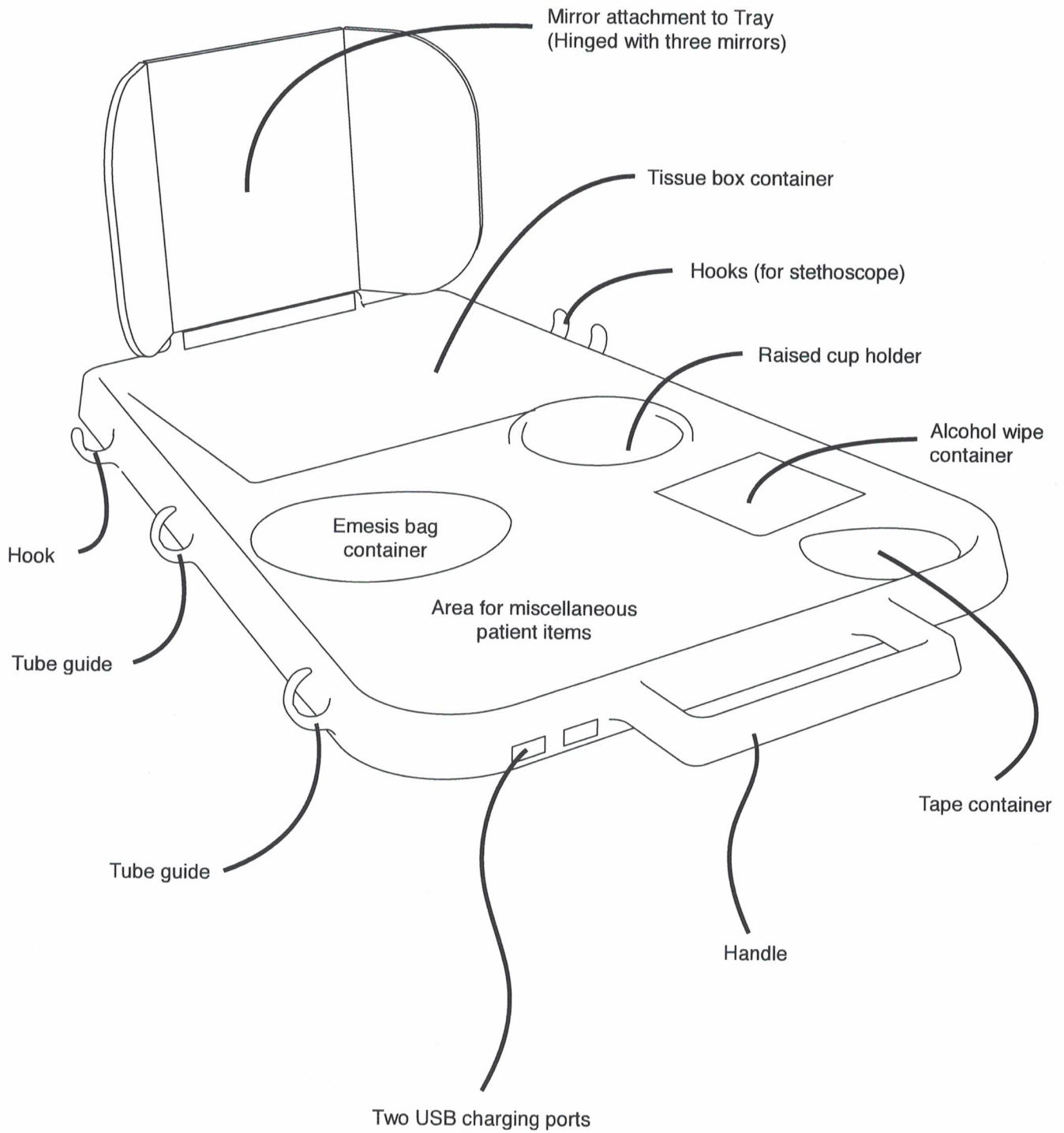
13. Back View of IVPPO Plug and Cord Holder



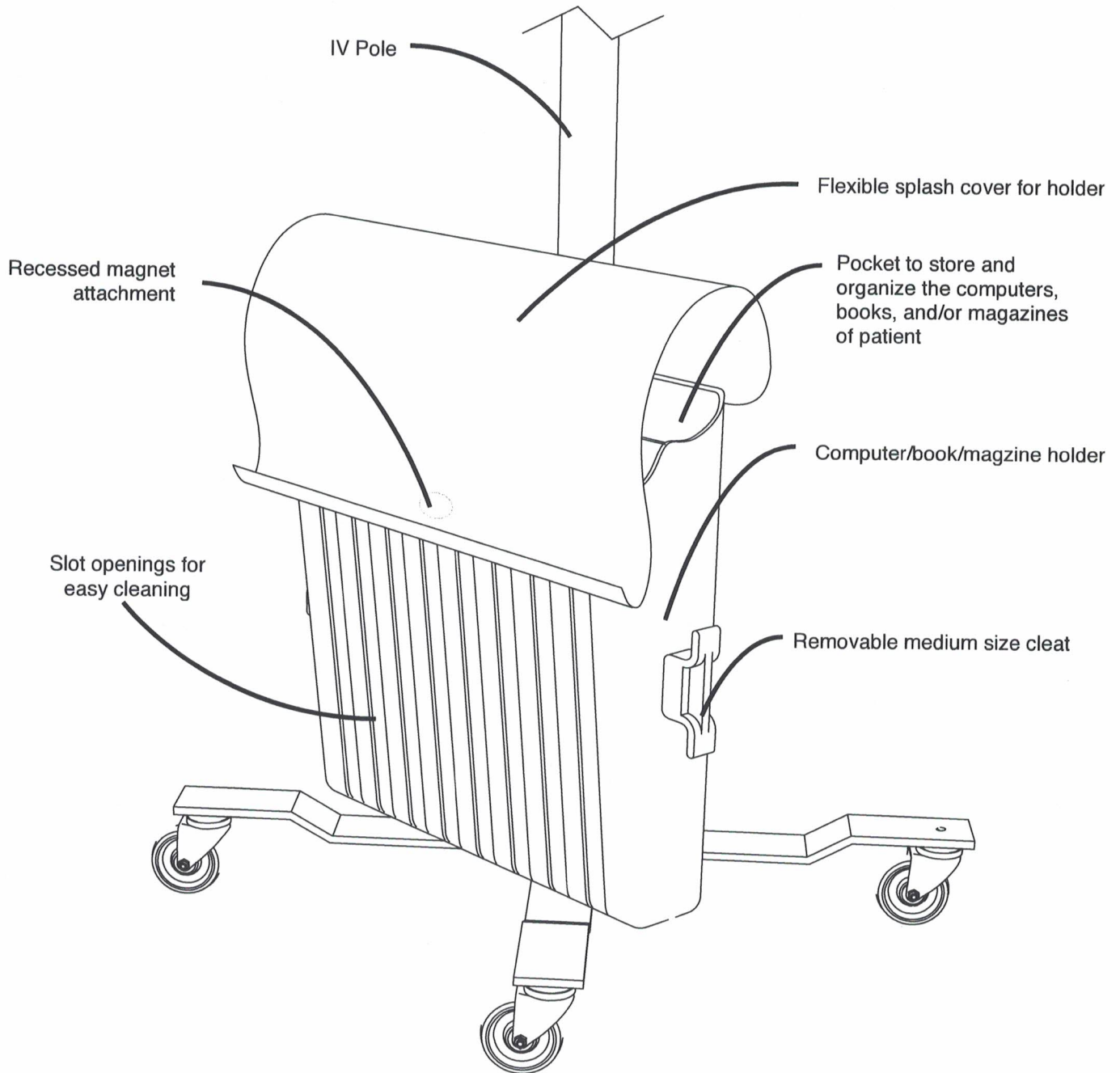
14. Looking Down View of Organizer Tray



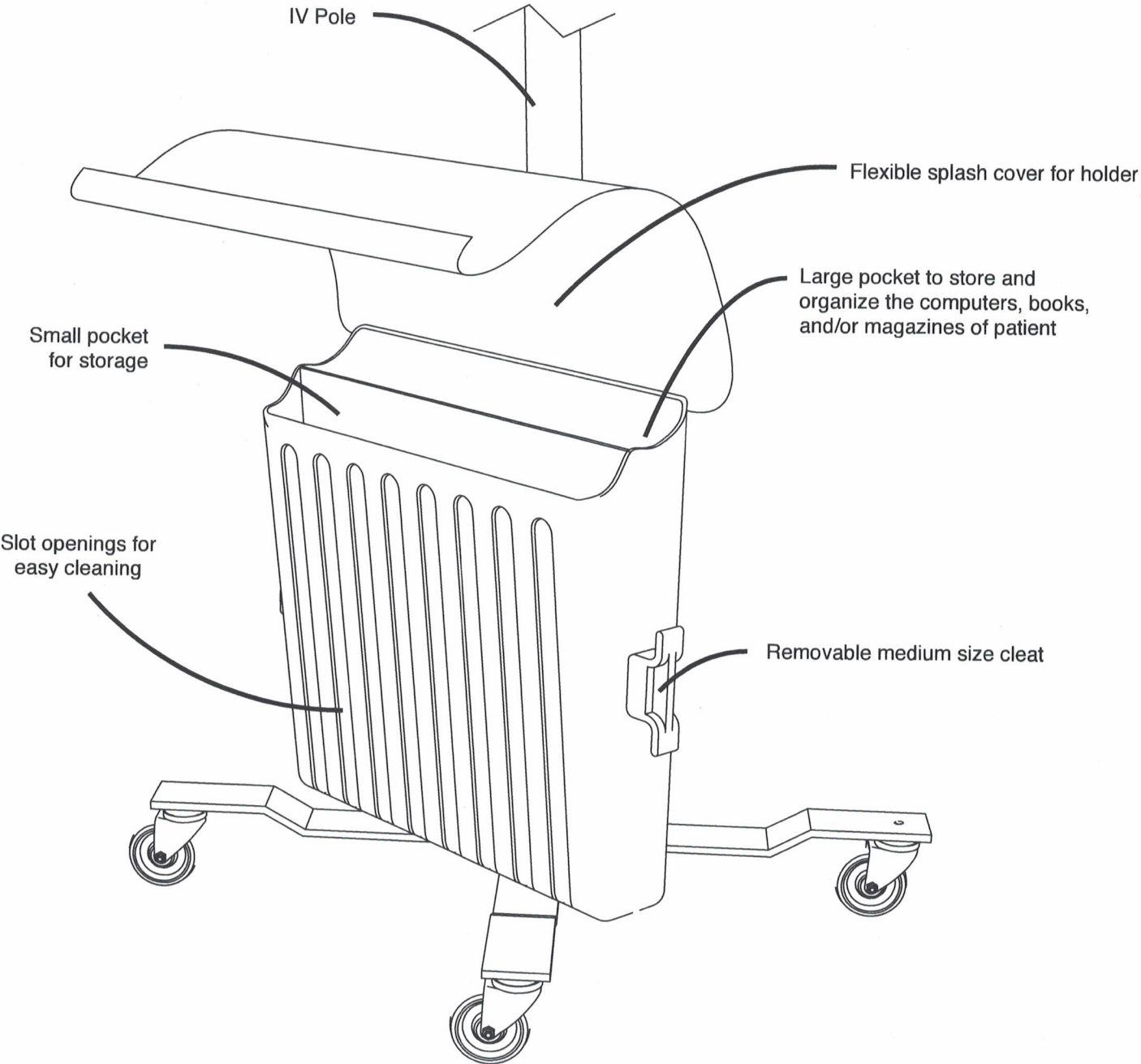
15. Perspective View of Organizer Tray



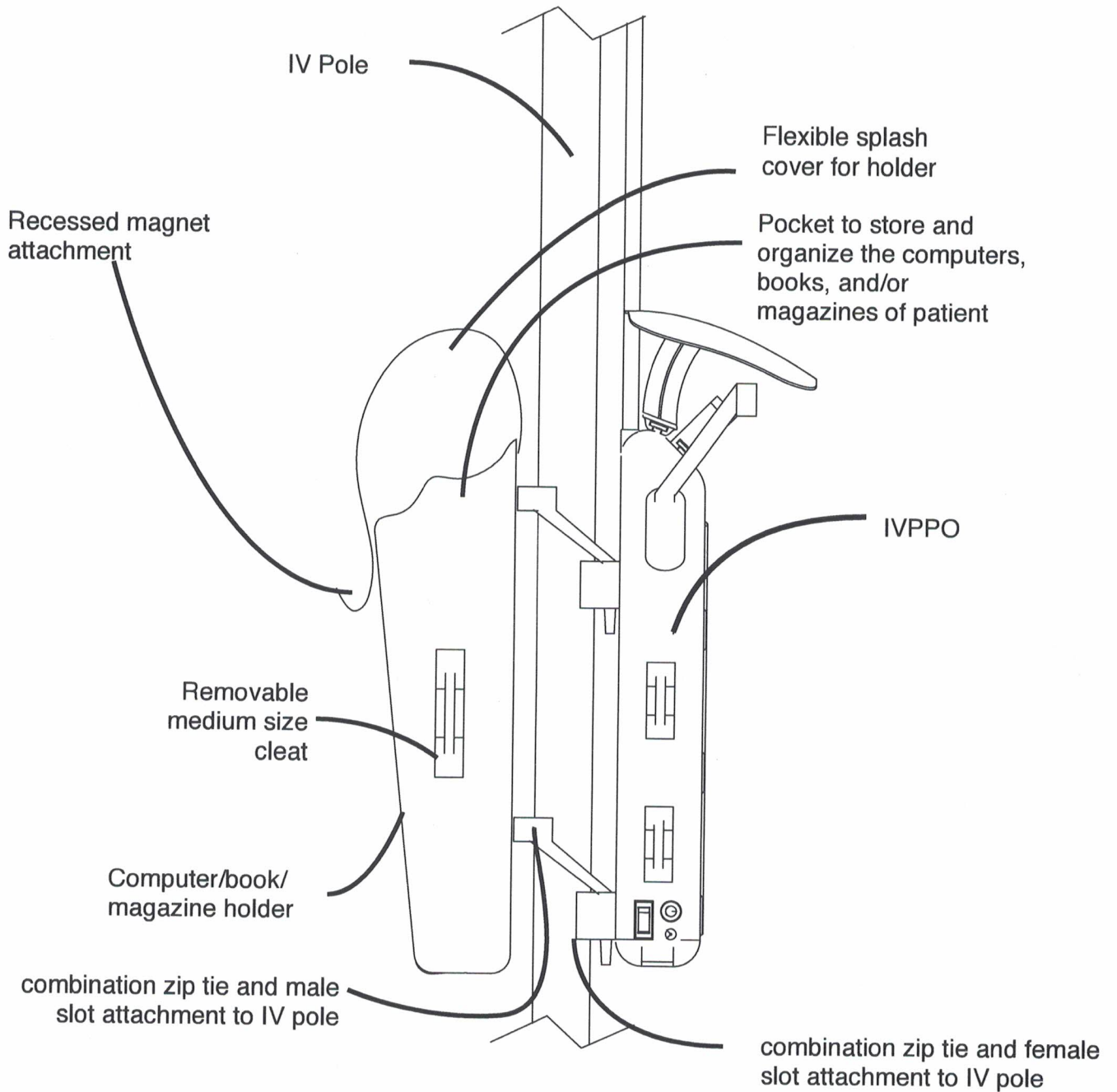
16. Perspective View of IV Pole Storage Container (IVPSC)



17. Perspective View of IV Pole Storage Container (IVPSC) with Open Splash Cover



18. Side View of IV Pole Storage (IVPSC)



19. Perspective View of IV Pole Storage (IVPSC) slot attachment option

